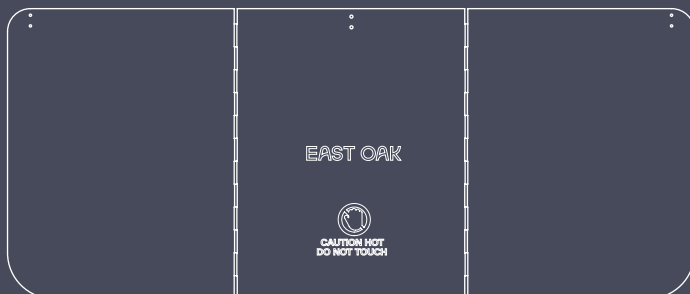


# Heat Focusing Reflector for Patio Heater Owner's Manual

MODEL:

RS01SR2



# EAST OAK

## NOTES

- Please check all parts and components to ensure no damage or missing items before starting the product's construction. If you have any problems or discover any missing parts, please contact customer service at support@eastoak.com.

## WARRANTY POLICY

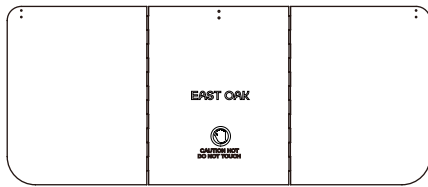
### GUARANTEED 3-YEAR WARRANTY

Thank you for choosing East Oak. This product is covered by our company warranty for up to 3 years from its original purchase date.

### CLAIM WARRANTY

If you'd like to claim your product's warranty, register your new product on our website at [www.eastoak.com/warranty](http://www.eastoak.com/warranty).

## PARTS LIST



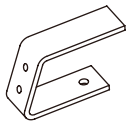
Panel

**A** X 1 PC



Support

**B** X 1 PC



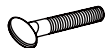
Brackets

**C** X 3 PCS



Screws

**D** X 7 PCS + Spare X 1



Fix Screws

**E** X 3 PCS

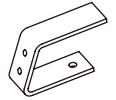


Protective Covers

**F** X 3 PCS

# 1

Use 6 M6 Screws to fix 3 brackets on the panel. The M6 screws should be on the front side of the panels.



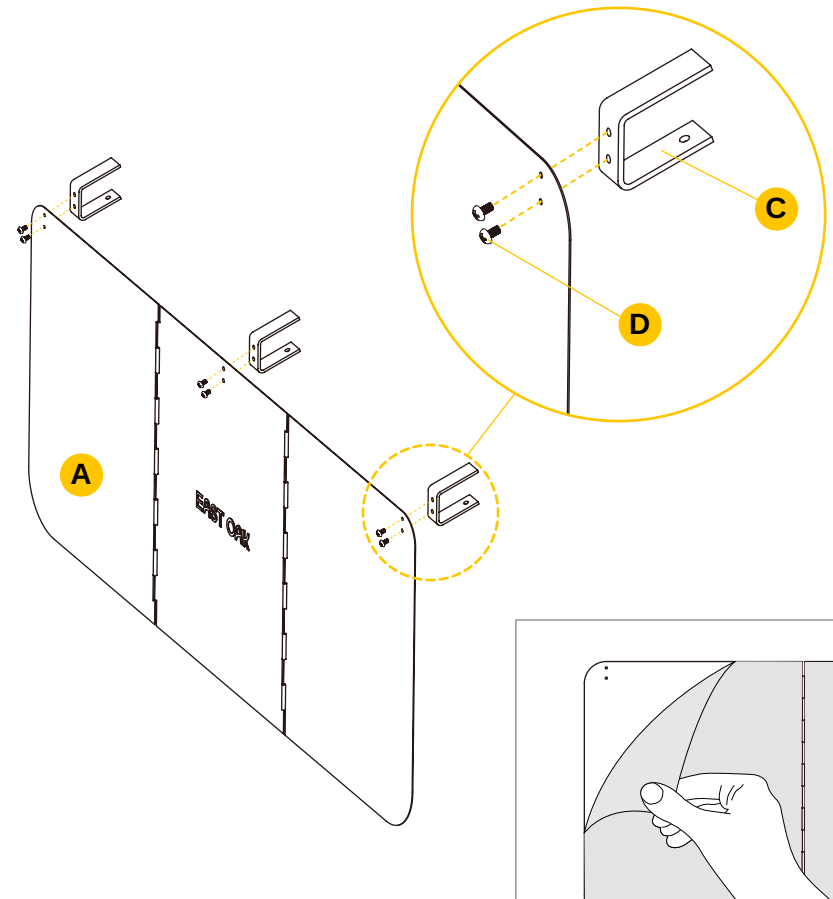
**C** X 3 PCS



**TIPS:** The side of the bracket with the hole is on the bottom, as shown in the picture.



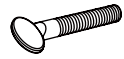
**D** X 6 PCS



Remove the protective film before assembly.

# 2

Pass the 3 fix screws through the holes of the brackets, and screw the 3 protective covers on.



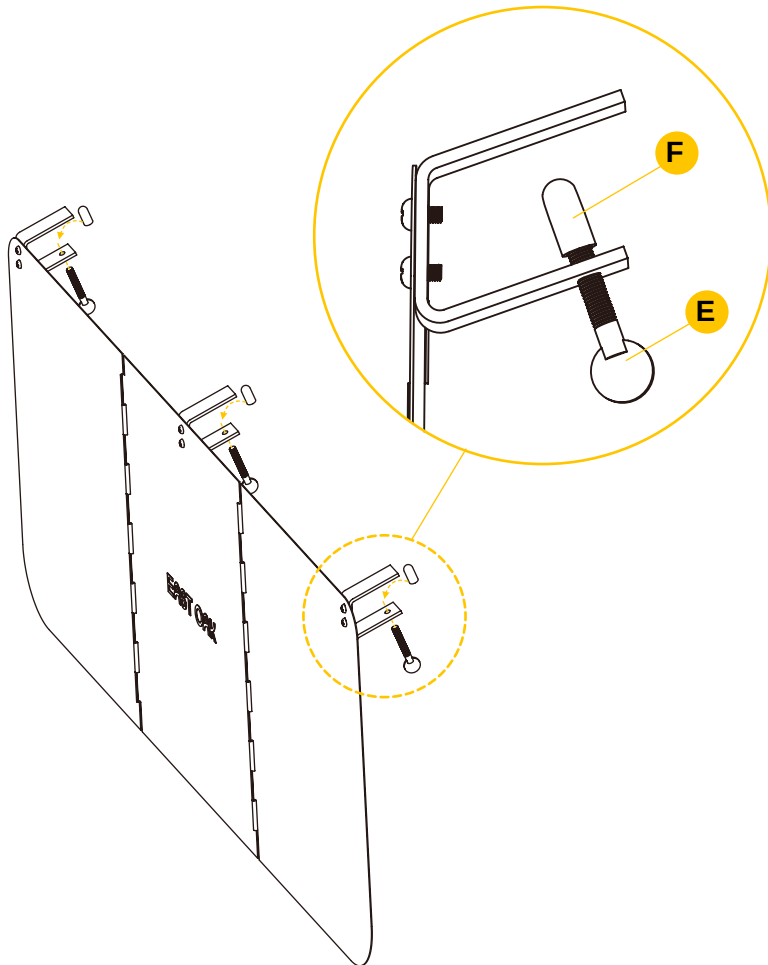
**E X 3 PCS**



**F X 3 PCS**



**TIPS:** It is recommended not to tighten the protective cover too tightly. There is a little space between the protective cover and the brackets, which is convenient for the next step of installation.

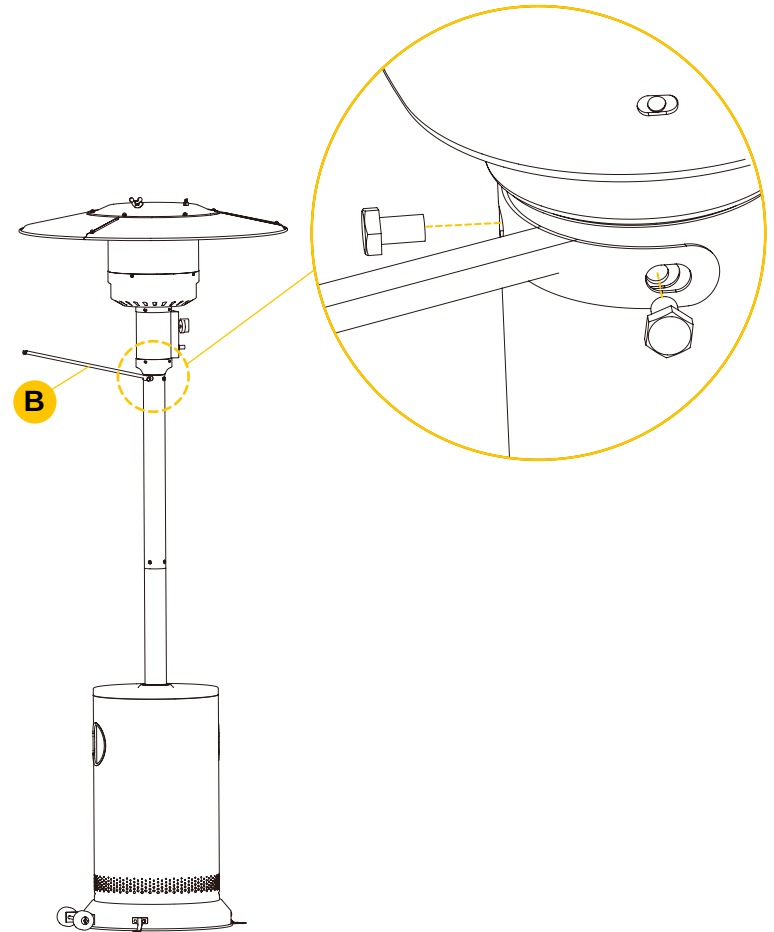


# 3

Unscrew the two screws from heater. Assemble the support to deflector and fix them with screw.



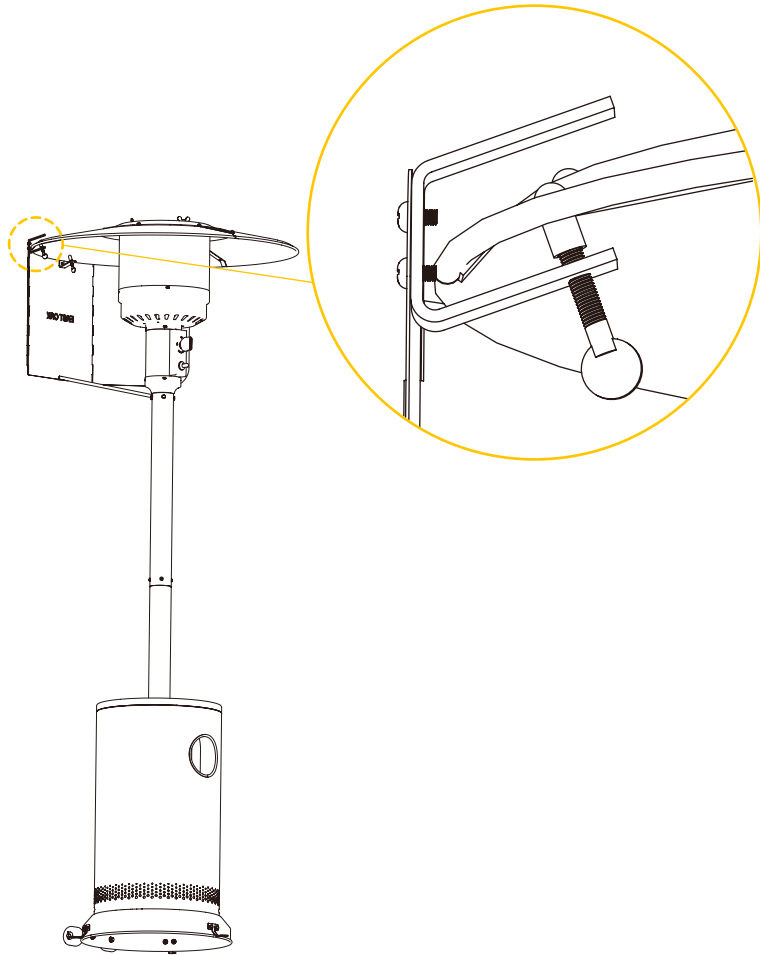
**TIPS:** Please make sure the support is on the opposite side of control knob.



**4** Attach the deflector to the heater reflector with fix screws. Then fasten the protective covers onto the fix screws. Link the assembled deflector to the patio heater.



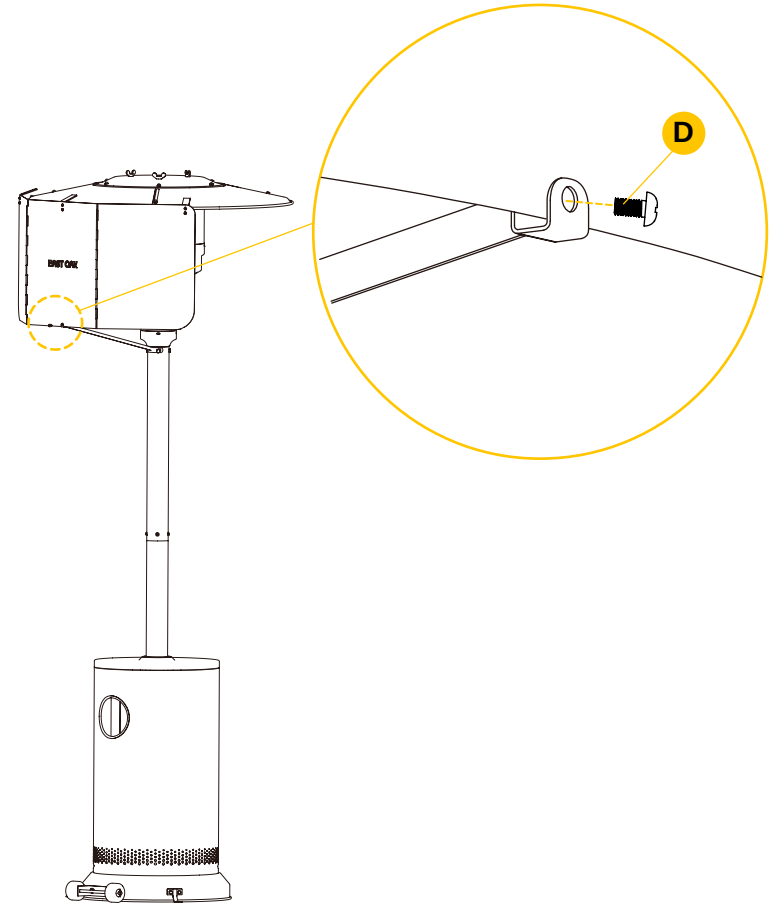
**TIPS:** The support rods should be fixed in the middle of the deflector.



**5** Assemble the support to the heater with screws.



**TIPS:** After assembly please make sure the deflector is on the opposite side of control knob.



# EAST OAK

✉ [support@eastoak.com](mailto:support@eastoak.com)

🌐 [eastoak.com](http://eastoak.com)

☎ 1-833-EAST-OAK (USA)