

# EAST OAK

## Stainless Steel Fire Pit 7”

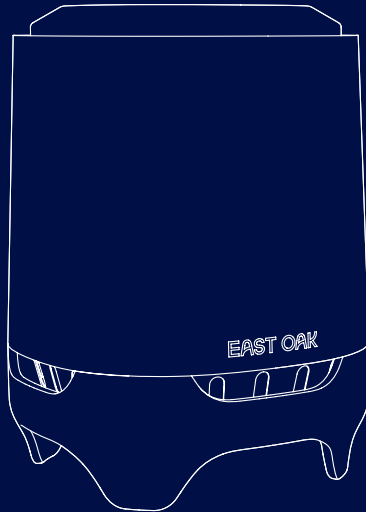
### Owner’s Manual

**MODEL:**

SS07SR1 | SS07BU1

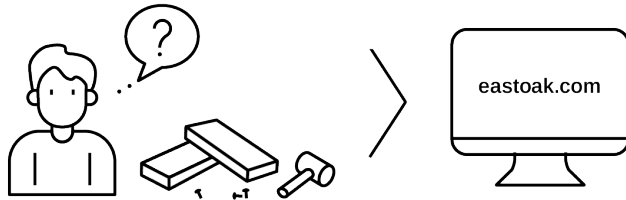
SS07GN1 | SS07BK1

SS07BS1 | SS07RD1



# EAST OAK

Signature



**Questions? Comments?  
Reach out to us for expert support!**

✉ [support@eastoak.com](mailto:support@eastoak.com)

🌐 [eastoak.com](http://eastoak.com)

📞 1-833-EAST-OAK (USA)

(1-833-327-8625) Mon-Fri 8am-8pm EST

Follow [eastoakliving](#) on



**Claim your 3-year warranty**

at [eastoak.com/warranty](http://eastoak.com/warranty)



**Please scan the QR code**

**to view the installation video**



## USER WARNINGS

**DO NOT USE IT UNTIL YOU HAVE READ THE OPERATING INSTRUCTIONS AND USER WARNINGS. SERIOUS INJURY, AND/OR PROPERTY DAMAGE MAY OCCUR.**

## **WARNING! FOR OUTDOOR USE ONLY!**

### PRECAUTIONS:

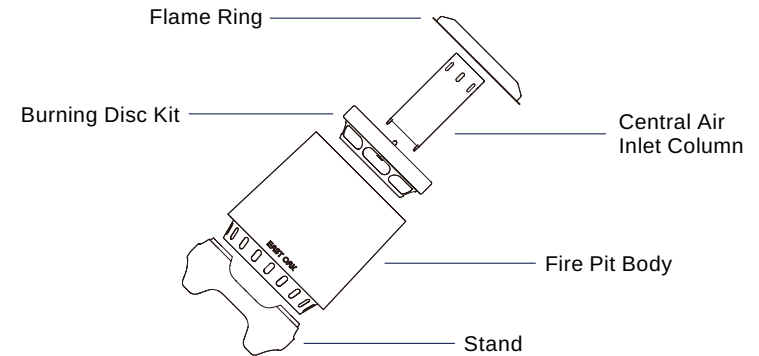
- The East Oak tabletop fire pit is for outdoor use only. Please do not use it in any enclosed area, under any overhanging structure, or near trees.
- Please do not use the East Oak tabletop fire pit for indoor heating, as it can produce toxic carbon monoxide that can cause asphyxia or even death.
- The fire pit has a potential safety hazard for children. The product is not intended for children and is only for adults. The East Oak tabletop fire pit is not a toy. Please keep it away from fire.
- The East Oak tabletop fire pit can be very hot during use. Please do not attempt to touch or move it while in use or before it has completely cooled down. Direct contact can potentially cause severe injury, either occasionally or due to other factors. Do not allow any objects to lean against the East Oak tabletop fire pit.
- The East Oak tabletop fire pit must always be used together with its accompanying stand and silicone insulation pad. It may cause scorching or combustion of desktop surfaces, especially when directly placed on surfaces such as wood, grass, PVC, or composite materials.
- When using the East Oak tabletop fire pit, please exercise extreme caution with regards to surrounding combustible surfaces. Using the fire pit directly around combustible surfaces such as wood, plastic, or composite materials may result in scorching or combustion of these surfaces. In such cases, any associated risks shall be borne by yourself. Even when using the accompanying stand and silicone insulation pad, if the fire pit is not adequately lifted or insulated,

there is a possibility of scorching or combustion of wood and other combustible materials depending on their heat resistance capabilities. If necessary, please further lift or insulate the East Oak tabletop fire pit to minimize the potential risk of property damage.

- Do not light or relight the East Oak tabletop fire pit using gasoline, lighter fluid or any other flammable liquids, otherwise, severe personal injury or property loss may be caused, particularly if the flammable liquid accumulates in the fire pit.
- During use, heating or cooling down, do not leave the East Oak tabletop fire pit unattended, especially if there are combustible objects nearby, even if you believe it has cooled down.
- The East Oak tabletop fire pit is specifically designed to be used with natural fuels such as wood or pellets, and it may not function properly if other fuel resources are used.
- The East Oak tabletop fire pit must not be altered or modified in any way.
- It should not be used to store or be used with gasoline or any other flammable fluids or gases.
- Do not wear flammable or loose clothes when operating the East Oak tabletop fire pit.
- Please do not use the East Oak tabletop fire pit on windy days.
- Keep the East Oak tabletop fire pit away from all cables.
- When using the East Oak tabletop fire pit, please do not lean on it.
- If it is not used for a period of time, check for any damage or accumulation of greasy dirt before using it. Do not operate the fire pit before conducting necessary maintenance and cleaning.
- Please do not extinguish fire with water, as it may cause damage to the East Oak tabletop fire pit and users.
- Properly dispose of ashes in a metal container for the safe disposal of ash. Ashes can still ignite even after several hours, so ensure the fire pit is keep away from combustible materials.
- If the instructions above are not followed completely, users bear full responsibility for safety.

## WHAT'S INCLUDED

- 1 X Fire Pit Body
- 1 X Flame Ring
- 1 X Burning Disc Kit
- 1 X Central Air Inlet Column
- 1 X Stand
- 1 X Nylon Carrying Bag
- 1 X Silicone Insulation Pad



Silicone Insulation Pad



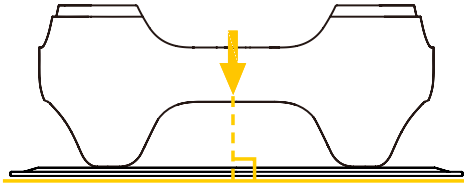
Nylon Carrying Bag



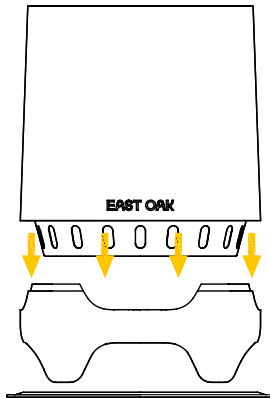
# GETTING STARTED

**1** Read all instructions and warnings prior to use.

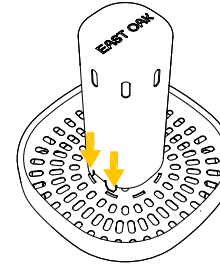
**2** Ensure that the silicone insulation pad and stand are placed on a level surface. Whenever lighting the East Oak tabletop fire pit, making sure the fire pit is positioned vertically.



**3** Place the silicone insulation pad and then put the stand on it. Install the fire pit body securely in place.



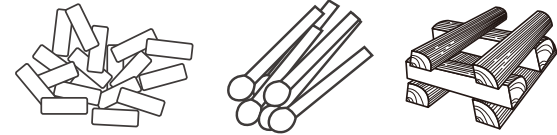
**4** Insert the four corner plates at the bottom of the central air inlet column into the circular slots in a forward direction (You can choose whether to install them).



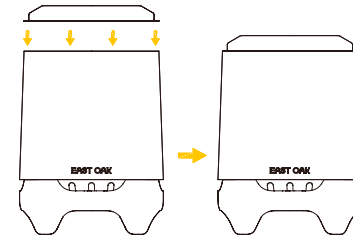
## NOTE:

- The central air inlet column re-burns the comb ke, thus avoiding the formation of smoke.

**5** Choose pellets, sticks, or chunk wood as fuel and place them inside the burn chamber.



**6** Place the flame ring protruding upwards on top of the fire pit to protect the flame and result in optimal secondary combustion.



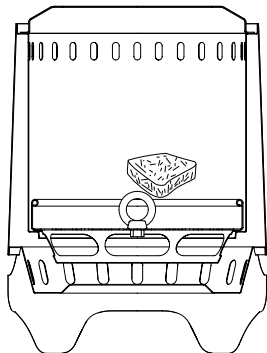
**7** Light it.



## LIGHTING WOOD

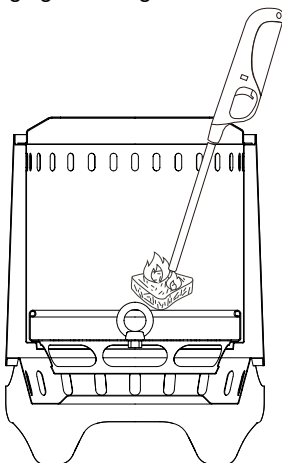
1

Place your fire starter in the middle of East Oak tabletop fire pit's burn chamber.



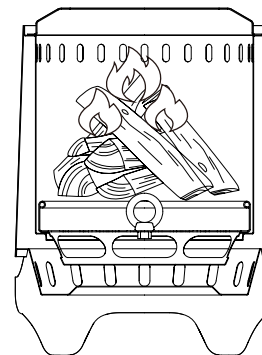
2

Use a long lighter to light the fire starter.



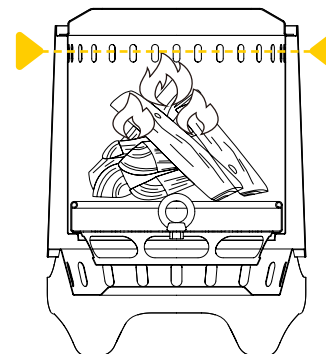
3

Start adding sticks, chunk wood, or kindling slowly. As your pieces of wood catch fire, add more as needed.



4

Never stack wood higher than East Oak tabletop fire pit's interior vent holes. Doing so will cut off airflow, and will cause your fire to smoke. Make sure wood is resting below the holes, and that they are clearly visible after fueling.



5

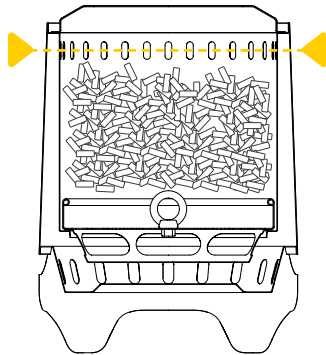
Fuel your fire as often as you need to keep East Oak tabletop fire pit's flame burning bright all night!



## LIGHTING PELLETS

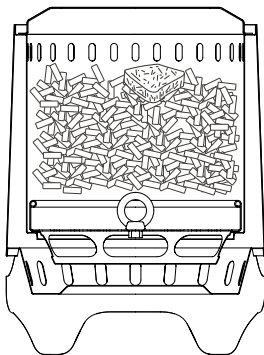
1

Add pellets to the burn chamber until they are resting right below East Oak tabletop fire pit's interior vent holes. Never add pellets higher than East Oak tabletop fire pit's interior vent holes. Doing so will cut off airflow and cause your fire to smoke.



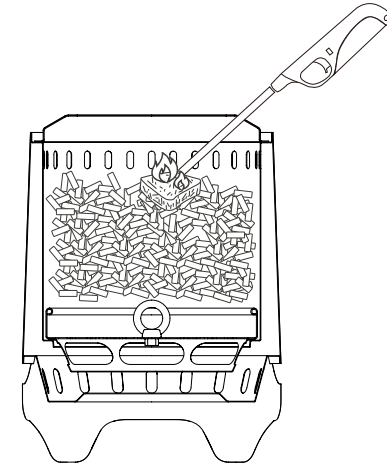
2

Place a fire starter on top and in the center of the pellets.



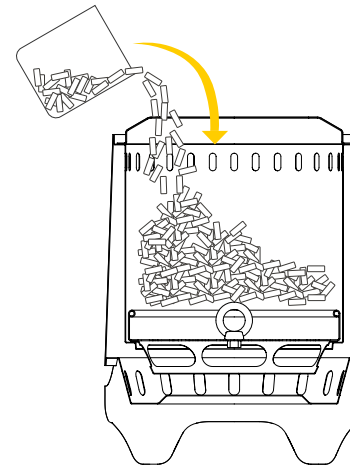
3

Use a long lighter to light the fire starter.



4

Allow the fire starter to ignite the pellets. Add small amounts of pellets as needed.



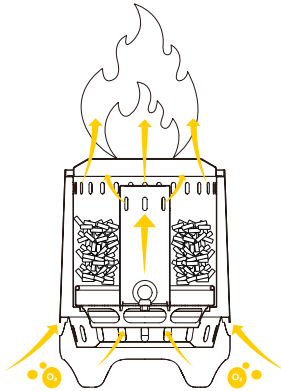
### NOTE:

- Without installing the central air inlet column, you can add almost 1350g to 1500g of wood pellets. The capacity has a range of fluctuates due to different types of wood pellets.
- Adding too many pellets all at once can choke your fire, which can cause it to smoke. Be sure to add small amounts at a time.



## What is central air inlet column

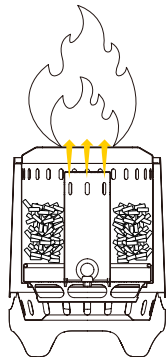
- The central air inlet column is a three-state air intake system that helps with oxygen input during the combustion of wood pellets, and it can create a special flame effect.



### NOTE:

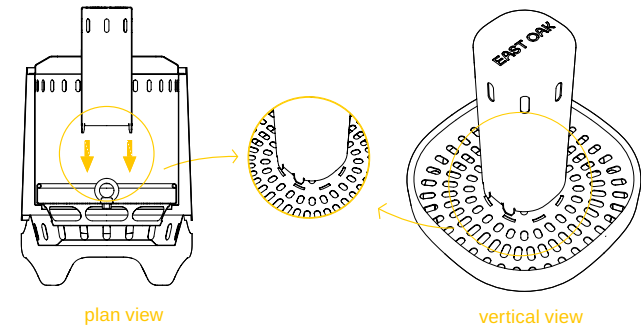
- After installing the central air inlet column, you can add almost 1250g to 1400g of wood pellets, and it can burn for about 50 minutes.
- Never add pellets higher than East Oak tabletop fire pit's interior vent holes.

- After the yellow flame of the 50-minute secondary combustion goes out in the hole, it will enter a 30-minute stage in central air inlet column. In this stage, the flame is ejected from the central air inlet column, promoting more thorough combustion of the fuel.

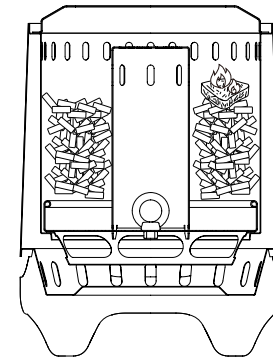


## How to use the central air inlet column

- Install the central air inlet column into the specific slots on the Burning Disc Kit and then put into the burn chamber.



- Add pellets to the burn chamber . Refer to the steps 1-4 in "lighting pellets".





## HOW TO REMOVE ASH

The East Oak tabletop fire pit burner plate fittings are specially designed to be able to be taken out, so as to facilitate ash removal.

Steps:



1. Wait 24 hours for ash to cool.



2. Remove the Flame Ring and take off the Central Air Inlet Column, if installed.



3. Vertically take out the Burning Disc Kit through the ring on it.



4. Slowly move the Burning Disc Kit into the ash box, tilt Fire Pit Body, and pour out the ashes.



5. After clearing the Burning Disc Kit, place it back into the burn chamber.



## STORAGE AND CARE

- It is recommended to store the East Oak tabletop fire pit in a cool and dry place after each use.
- It is recommended to pack it with a cover to reduce the possibility of oxidation or rust when the tabletop fire pit is not in use.

## TECHNICAL SPECIFICATIONS

**Materials:** 304 stainless steel and 430 stainless steel.

### 7" East Oak tabletop fire pit

**Upper opening:** 7x7 inch (17.8x17.8 cm)

**Base size:** 7.56x7.56 inch (19.2x19.2 cm)

**Height:** 10.1 inch (25.8 cm)

**Weight:** 4.37 lbs (1.98 kg)

**Packaging dimension:** 8.66x8.66x11.02 inch (22x22x28 cm)

**G.W./N.W.:** 6.06 lbs/4.37 lbs (2.75 kg/1.98 kg)

## WARRANTY & SERVICE

### Guaranteed 3-Year Warranty

Thank you for choosing East Oak. This product is covered by our company warranty for up to 3 years from its original purchase date.

### Claim Warranty

To claim your product's warranty, register your new product on our website at [www.eastoak.com/warranty](http://www.eastoak.com/warranty).

### ⚠ WARNING

Cancer and Reproductive Harm

[www.P65Warnings.ca.gov](http://www.P65Warnings.ca.gov).



# EAST OAK

✉ [support@eastoak.com](mailto:support@eastoak.com)

🌐 [eastoak.com](http://eastoak.com)

☎ 1-833-EAST-OAK (USA)