

Product Manual

Travel Seat



Parts list



Main metal frame



Handlebar metal tubes × 2



Fabric Cover



Carrying bag

Applicable age: 1-6 Months

Main materials: Eco-friendly PP + high-carbon steel

Net weight: 1.9 kg

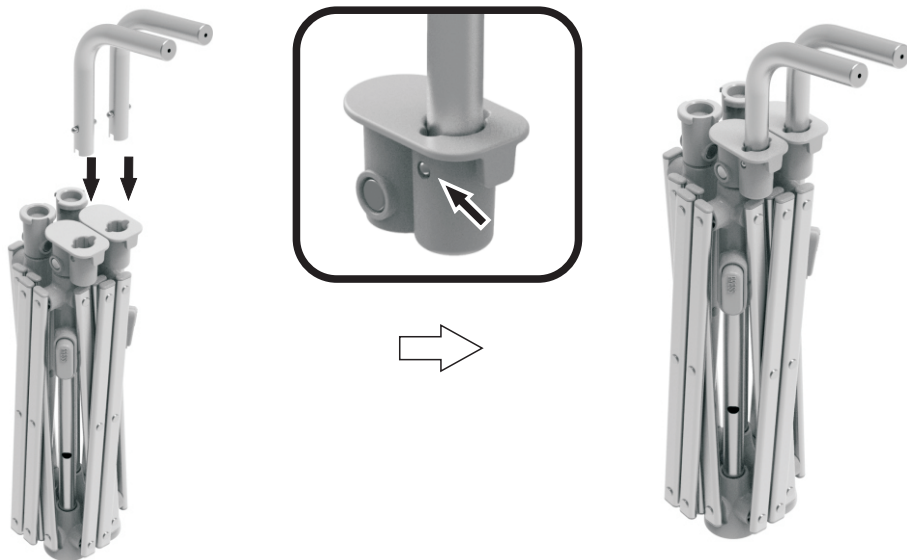
Gross weight: 2.2kg

Product Size: 58 × 48 × 65 cm

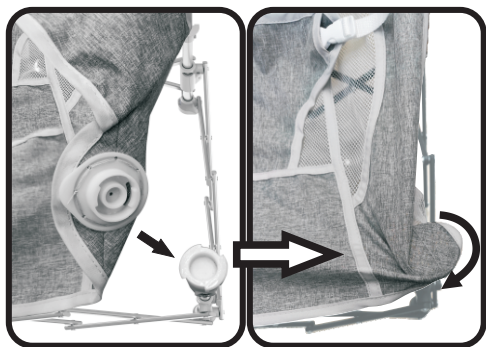
Carton Size: 13.5 × 13.5 × 38.5 cm

Steps:

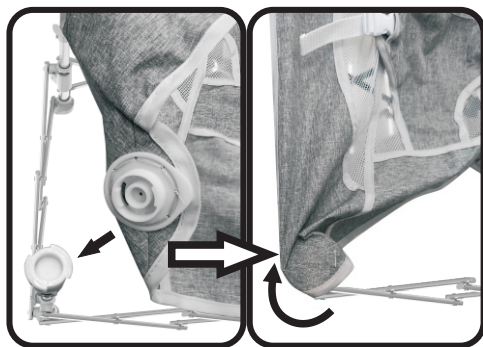
1. Insert the handle metal tubes into the round holes of the main metal frame until the spring buttons pop out and securely lock into the plastic parts of the frame.



2. Place the two plastic tabs at the front of the fabric cover over the two front upper plastic parts of the main frame, then rotate the tabs to secure them onto the plastic parts.



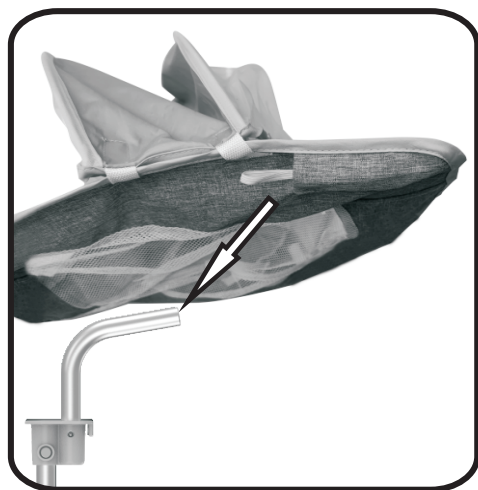
Right



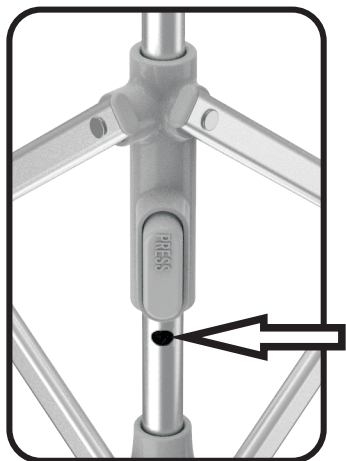
Left



3. Place the fabric loops at the left and right rear corners of the seat cover over the curved metal tubes, then hook the elastic fabric straps onto the small plastic hooks on the plastic parts to secure the seat cover.

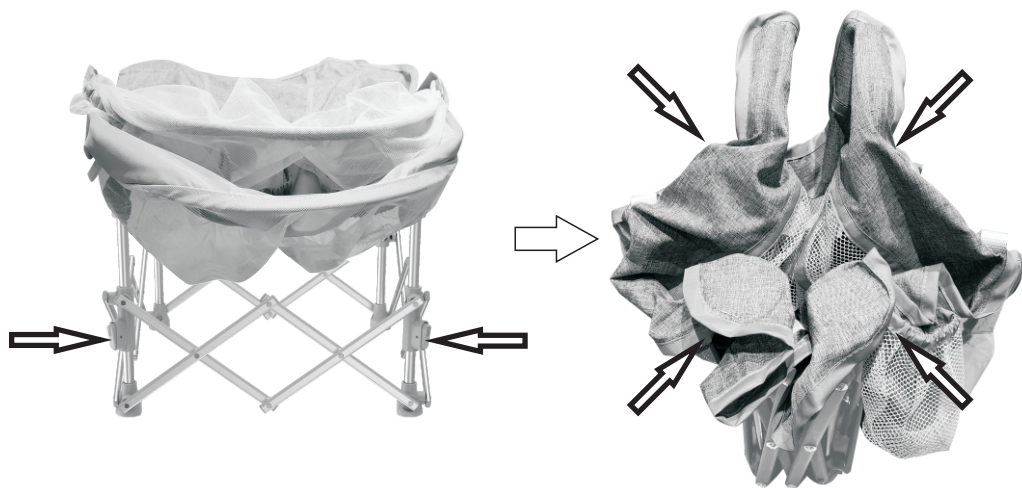


4. Open the entire frame. Slide the latch in the middle of the rear end of the frame downward until it snaps into the round hole on the metal tube, securing the frame.



5. Folding method:

Press the locking buttons on both sides at the back of the seat at the same time to release the positioning latches, then fold the metal frame inward to collapse the chair.





WARNING

FALL HAZARD: Children have suffered head injuries, including skull fractures, falling while in and from seats.

- **Never** leave the child unattended.
- It is dangerous to use this product on an elevated surface (e.g. a table).
- **ONLY** use on the floor.
- **DO NOT** move or lift this product with the baby inside it. Never lift product using the shade as a handle.
- **ALWAYS** use restraints and adjust to fit snugly.
- **STOP** using seat when baby starts trying to sit up or has reached 10kg, whichever comes first.

SUFFOCATION HAZARD: Babies have suffocated when seats tipped over on soft surfaces and/or when seats have been used as a sleep product.

- **NEVER** use on a bed, sofa, cushion, or other soft surface.
- Stay near and watch baby during use. This product is not safe for sleep or unsupervised use. If baby falls asleep, remove baby as soon as possible and place baby on a firm, flat sleep surface such as a crib or bassinet.
- Never let the child sleep in this product.

TO PREVENT FALLS AND SUFFOCATION:

- **NEVER** use as an infant carrier for automobile or airline travel.
- **NEVER** attach an additional string or strap to product or sun shade.

WHEN USED OUTDOORS WITH SUN SHADE:

- Always use on flat, clear ground.
- Avoid using seat in full sun and avoid the hottest hours of the day, between midday and 4 in the afternoon.
- Avoid leaving the child too long in the seat in the full sun because although the product protects against the sun's rays, it provides no protection against the heat.
- Always use appropriate sun protection for child (e.g. sun protective clothing, etc.)



CAUTION

- The sun shade is under tension. To avoid injury, grasp firmly and release the tension slowly.

IMPORTANT

- Adult assembly required.
- Please read all instructions before assembly and use of the product.
- Care should be taken in unpacking and assembly.
- Examine product frequently for damaged, missing, or loose parts.
- DO NOT use if any parts are missing, damaged, or broken.
- Never substitute parts.
- This product does not replace a cot or a crib. Should the child fall asleep, then it should be placed in a suitable cot or crib.

Care and Cleaning

- Seat pad – Remove from frame. Fasten buckles on seat restraint and seat pad. Fasten all hook-and-loop patches to the corresponding patch. Machine wash with cold water, gentle cycle. No bleach. Tumble dry, using low heat.
- Canopy – Wipe clean with a damp cloth and mild soap. Air dry. Do not immerse in water.
- Frame – Wipe the metal frame with a soft, clean cloth and mild soap.
- Carry Bag – Machine wash in cold water. Use a gentle wash cycle with no bleach. Tumble dry, using low heat.

Safety Warning:

Applicable age: 1–6 months

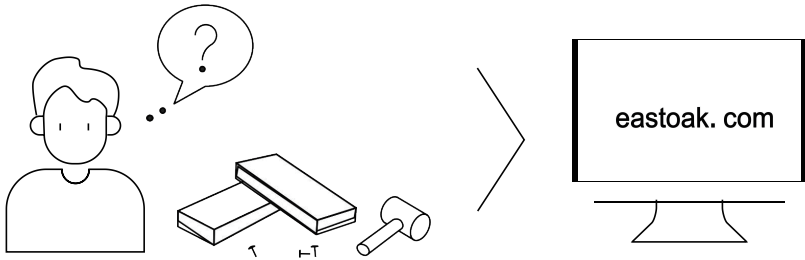
Maximum weight limit: Below 10 kg

Maintenance and Care:

- To ensure the safe and proper use of this product and to protect your baby from potential injuries, please regularly inspect and maintain the product.
- Check that all components are complete before assembly.
- Regularly inspect for loose screws or damaged parts.
- During use, frequently check that all components are properly installed and in good condition.
- Clean the product regularly. Do not wash with water; wipe clean using a dry cloth only.

Important Notice:

Please keep this instruction manual properly for future reference, so that we can better assist you when needed. Damage caused by improper installation or human factors is not covered under warranty. The company reserves the right of final interpretation.



**Question? Comments?
Reach out to us to get expert support!**

✉ support@eastoak.com

🌐 eastoak.com

☎ 1-833-EAST-OAK (USA)
(1-833-327-8625)

Follow eastoakliving on

