

80 Gallon Deck Box

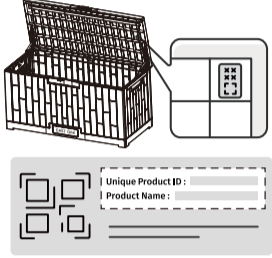
Model: IM09GY1



3-Y

Step 1:

Found the Unique Product ID on the product.



Step 2:

Scan the QR code within 90 days to access our registration page. Fill the Unique Product ID and other required information as instructed.



Questions? Comments? Reach out to us for expert support!

support@eastoak.com
eastoak.com
1-833-EAST-OAK (USA)
(1-833-327-8625) Mon-Fri 8am-8pm EST

Need help starting? Scan the QR code for installation video guidance.



Installation video

Welcome to the East Oak family!

Stay updated with our latest news and exclusive discounts by following us on social media!



Facebook @eastoakliving
www.facebook.com/eastoakliving



Instagram @eastoak_official
www.instagram.com/eastoak_official



Instagram @eastoakliving
www.instagram.com/eastoakliving



YouTube @eastoakliving2080
www.youtube.com/@eastoakliving2080



Installation Diagrams

A x 2

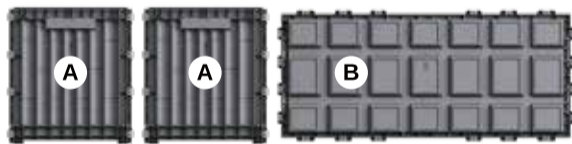
B x 1

⚠️ MUST DO FIRST:

1. Install the two **Side Panels (A)** onto the **Bottom Panel (B)** first.
2. Ensure the lettered sides of both panels face inward.
3. Not following this order may make assembly difficult and could damage parts.

💡 Tips:

Refer to the letters A-E printed on the inside of each panel.



Install the Side Panels

1. Align a **Side Panel (A)** with the **Bottom Panel (B)** and insert the tabs into the slots.
2. Press along the edges until all snap locks click into place.
3. Repeat for the other Side Panel (A).



PARTS

💡 Tips:

You can find the installation prompt letters (A-E) on the inside of all panels.



Side Panel
A x 2PCS



Bottom Panel
B x 1PC



Back Panel
C x 1PC



Front Panel
D x 1PC



Lid Panel
E x 1PC



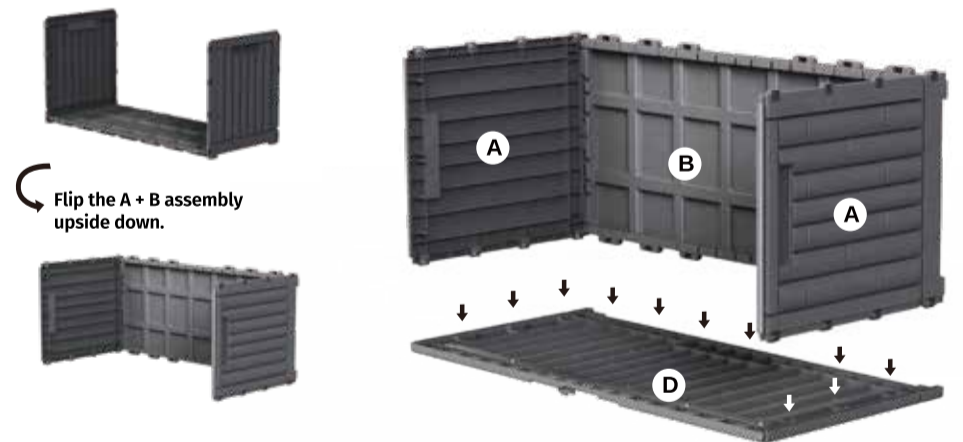
Hydraulic Rod
F x 2PCS



Screw
G x 10PCS

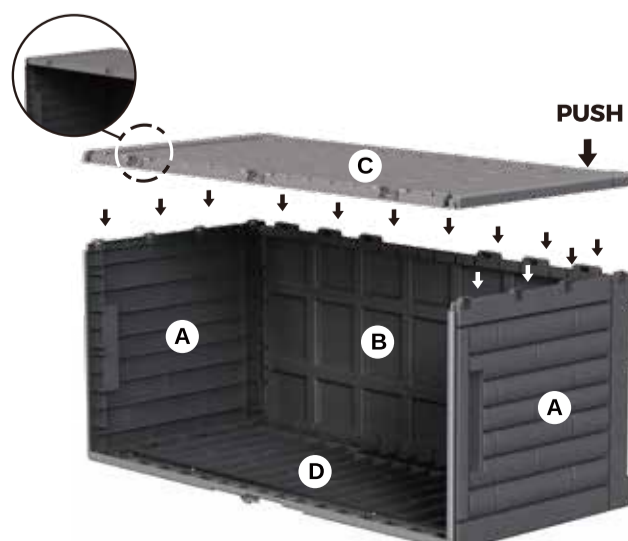
2 Install the Front Panel (D)

1. Lay the **Front Panel (D)** flat with the lettered side facing inward.
2. Flip the A + B assembly over and lower it onto (D).
3. Align the tabs with the slots and press along the edges until all snaps click into place. Use a rubber hammer if needed.
4. Two-person assembly recommended.



3 Install the Back Panel (C)

1. Ensure the lettered side of the Back Panel (C) faces inward.
2. Align the tabs on (C) with the slots on (A) and (B).
3. Press along the edges until all snaps click into place. Use a rubber hammer if needed.
4. Ensure the latch opening on (C) is at the top and faces outward.

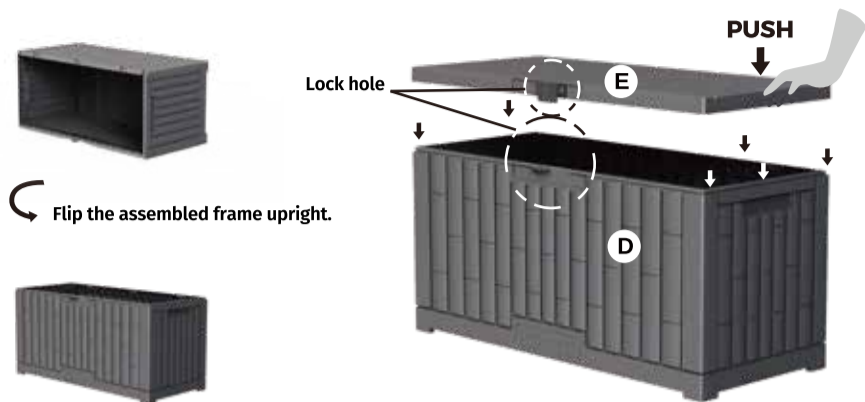


💡 Tips:

A strong force is required, we recommend using a rubber hammer to assist. Rubber hammer not included.



- 4 Install the Lid Panel (E)** **E X 1**
1. Ensure the lettered side of the **Lid Panel (E)** faces inward.
 2. Align the lock hole on **Lid Panel (E)** with the lock hole on the **Front Panel (D)**.
 3. Lower the lid and press along the edges until all snaps click into place.
 4. Use a rubber hammer if needed.



- 5 Install the Hydraulic Rods (F) on both sides using the screws (G)** **F X 2**
G X 10
1. Align each hydraulic rod (F) with the mounting points on the Lid Panel (E) and the box body, one on each side.
 2. Fasten with screws (G) and tighten until secure.



Tips:

You can use an electric screwdriver to make installation easier.
Electric screwdriver not included.

6 Finish



FEATURES

- Weather-resistant outdoor storage.
- UV- and fade-resistant.
- Durable, long-lasting polypropylene construction.
- Easy assembly.
- Comfortable side handles.
- Upgraded PP material helps prevent bending and fading.
- Suitable for indoor and outdoor use; holds pillows, pool toys, garden tools, furniture accessories, and sports equipment.
- Ideal for home storage and organization.



IMPORTANT INFORMATION

- **NOTICE — Non-disassemblable:** Once assembled, the product is not designed to be taken apart. Follow the installation steps exactly, in order.
- **Before You Begin:** Inspect all parts and hardware. Do not start assembly if anything is damaged or missing. If you have questions or need replacements, contact Customer Support at support@eastoak.com.
- **CAUTION — Sharp edges:** Some parts may have sharp edges. Wear protective gloves during assembly as needed.
- Assemble on a soft, clean surface (drop cloth or rug) to prevent scratches.



ASSEMBLY INSTRUCTIONS

- We recommend using a rubber hammer to assist with installation and fully seat snap locks.
- Letters A–E are printed on the inside of all panels for assembly reference.
- Item identification: For ease of identification, parts are labeled with letters (A–G) that match the steps and diagrams.



CARE & SAFETY

- Avoid placing products in areas with standing water, such as potholes in lawns.
- Ensure all connections and panels are securely tightened before use.
- All parts must be assembled according to the instructions. Do not skip any steps.
- In case of fire, do not attempt to extinguish any burning polypropylene with water.
- Using a stiff brush or abrasive cleaner could damage the box.
- Hot items such as recently used grills, blowtorches, etc., must not be stored in the box.
- After rain, wipe the box with a cloth before opening.
- Not suitable for the storage of flammable or corrosive substances.
- Do not stand on the lid.
- To prevent the risk of suffocation, do not allow children to play inside the box.
- Wear safety goggles and always follow the manufacturer's instructions when using power tools.



WARNING

Cancer and reproductive harm
www.P65Warnings.ca.gov.