

3-piece Patio Conversation Set Owner's Manual

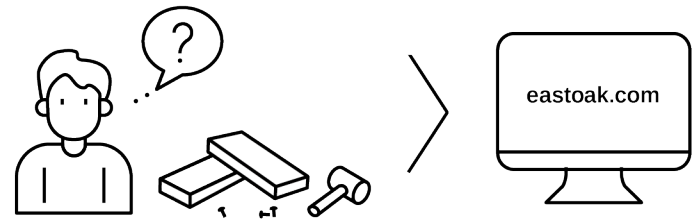
MODEL:

PCSLC23005

PCSLC23006



EAST OAK



**Questions? Comments?
Reach out to us for expert support!**

✉ support@eastoak.com

🌐 eastoak.com

☎ 1-833-EAST-OAK (USA)

(1-833-327-8625) Mon-Fri 8am-8pm EST

Follow [eastoakliving](#) on



Claim your 3-year warranty

at eastoak.com/warranty



**Please scan the QR code
to view the installation video**



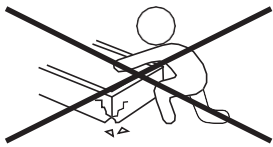
IMPORTANT CAUTION

Before beginning assembly of product, make sure all parts are present. Compare parts with package contents list and hardware contents. If any part is missing or damaged, do not attempt to assemble the product. If any part is missing or damaged, please contact customer service at support@eastoak.com.

- Some parts may contain sharp edges. Wear protective gloves if necessary during assembly.
- When using power tools, please adjust the gear to the minimum. Otherwise, it will cause damage to the parts.

SAFETY GUIDE

- For your safety and to reduce the risk of severe personal injury, the user must read and understand this Safety Guide.
- Assemble each piece only following the instructions. Using tools or hardware not included in the original packaging, or improperly assembly may cause the product to malfunction or has a risk of severe personal injury.
- Assemble on a flat and soft surface, such as carpeting, to avoid scratches or damage.



NOTICE

- Tighten all bolts and screws again within the first two weeks of assembly.
- Check the tightness of all bolts every two months, tighten them if necessary.

CARE & CLEANING

- For best results, clean the frame with a damp cloth and dry thoroughly. This will help prevent mildew by removing dirt particles that may accumulate.
- Do not clean with abrasive materials, bleach, or solvents.
- Store the set in a dry, sheltered place when not in use.

- Keep the set out of the fire, extreme heat, freezing conditions, and inclement weather such as rain, hail, snow, or wind. PLEASE NOTE that the metal paint may come off due to weather conditions.
- PLEASE REMOVE the sponge from the cushion before washing.
- Stains on the fabric can be cleaned with lukewarm water with neutral liquid soap, and brushed gently. After washing the stains, air dry without twisting to avoid fabric deformation, and do not use high temperature ironing, so as to avoid high temperature discoloration.



READ & SAVE BELOW INSTRUCTIONS BEFORE ASSEMBLY

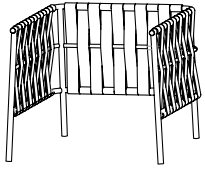
1. Please separate and identify all parts, making sure that you have all of the parts listed.
2. To avoid any scratch during assembly, please assemble on a soft mat or similar.
3. Please assemble step by step and follow the instructions.
4. Washers must be used.
5. Do not completely fasten each screw and nut until all the screws are properly fixed.

ASSEMBLY SUGGESTIONS

- Two adults required for a safe assembly

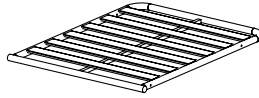


PARTS LIST



Armchair Back/Arm

A (2PCS)



Armchair Seat

B (2PCS)



Table Top

M (1PC)

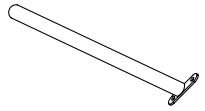
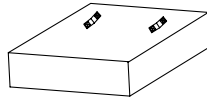


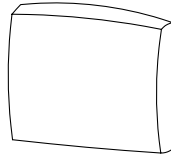
Table Leg

N (4PCS)



Seat Cushion

Q (2PCS)



Back Cushion

R (2PCS)



M6x40 Screw

a (8PCS)+Spare(X1)



M6x15 Screw

b (8PCS)+Spare(X1)



Washer

c (16PCS)+Spare(X2)

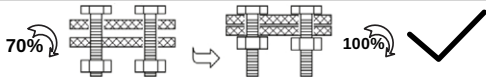


Hex Wrench

d (1PC)



While installing the screws on the same part, do not tighten them one by one. Only tighten them completely after you have inserted all the screws in the screw hole.



PRODUCT ASSEMBLY - ARMCHAIR

1

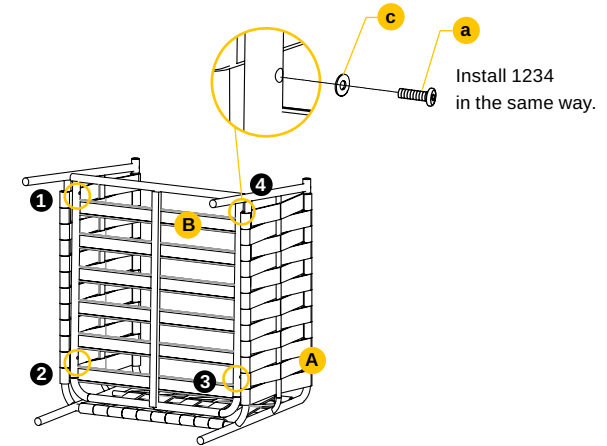
Align the screw holes on the armchair seat with those on the armchair back/arm, and then tighten them with hex wrench.



a (4PCS)

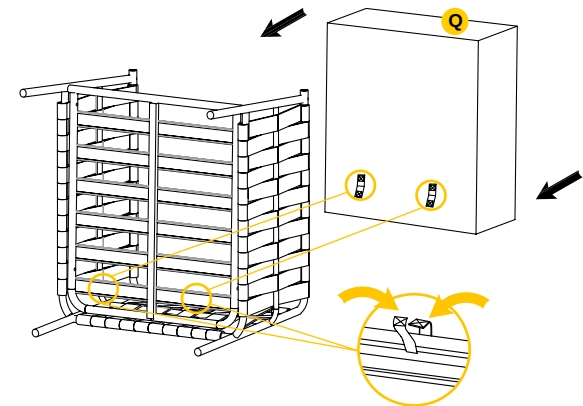


c (4PCS)

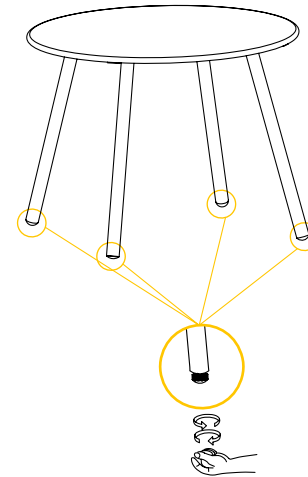
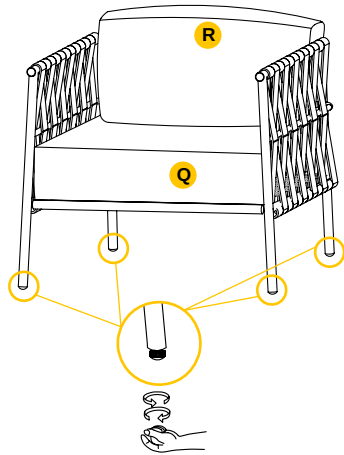


2

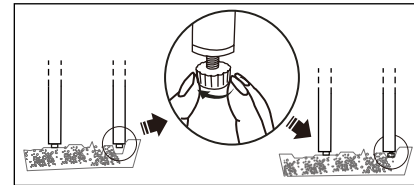
Tie the seat cushion to the seat pipe with Velcro.



3 Place the back cushion on the seat.



How to keep stable on uneven ground



PRODUCT ASSEMBLY - TABLE

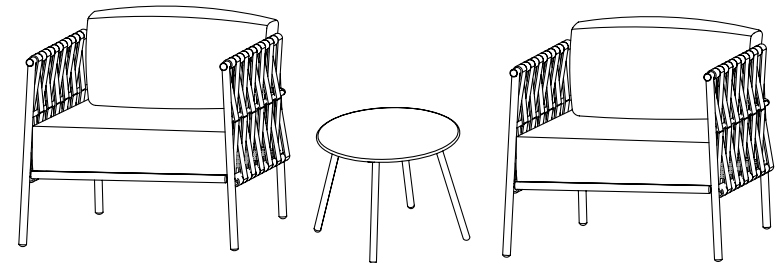
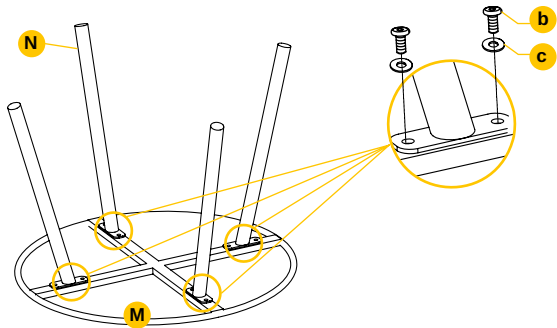
1 Align the screw holes on the table top with those on the table legs, and then tighten them with hex wrench.



b (8PCS)



c (8PCS)



FEATURES

- 3-piece patio conversation set helps provide a comfortable experience. Soft sponge-filled seats give you extra comfort.
- The covers of cushions can be removed for easy cleaning and maintenance.
- Featuring sturdy steel frame and TPU waterproof seat cover. This conversation set can withstand rain and wind.
- The coffee table can be used to place small decor, snacks, or beverages.

WHAT'S IN THE BOX

- 2 x Armchair
- 1 x Round Table
- 2 x Seat Cushions
- 2 x Back Cushions
- 1 x Accessory Kit
- 1 x Owner's Manual

TECHNICAL SPECS

- Construction Materials: Steel Frame, Sponge Cushion.
- Weight Capacity:
 - Armchair: 350 lbs.
- Assembly Time: 10-15 minutes.
- Product Size:
 - Armchair: 28.7 x 31.3 x 24.4 inches
 - Round Table: 23.6 x 23.6 x 18.3 inches

WARRANTY POLICY

GUARANTEED 3-YEAR WARRANTY

Thank you for choosing East Oak. This product is covered by our company warranty for up to 3 years from its original purchase date.

CLAIM WARRANTY

If you'd like to claim your product's warranty, register your new product on our website at www.eastoak.com/warranty.

▲ CALIFORNIA PROP 65 WARNING

This product may contain Polycyclic aromatic hydrocarbons (PAHs) which are known to the state of California to cause cancer birth defects and other reproductive harm. Do not ingest.

For more information go to: www.P65Warnings.ca.gov.

3-piece Patio Conversation Set



EAST OAK

✉ support@eastoak.com

🌐 eastoak.com

☎ 1-833-EAST-OAK (USA)