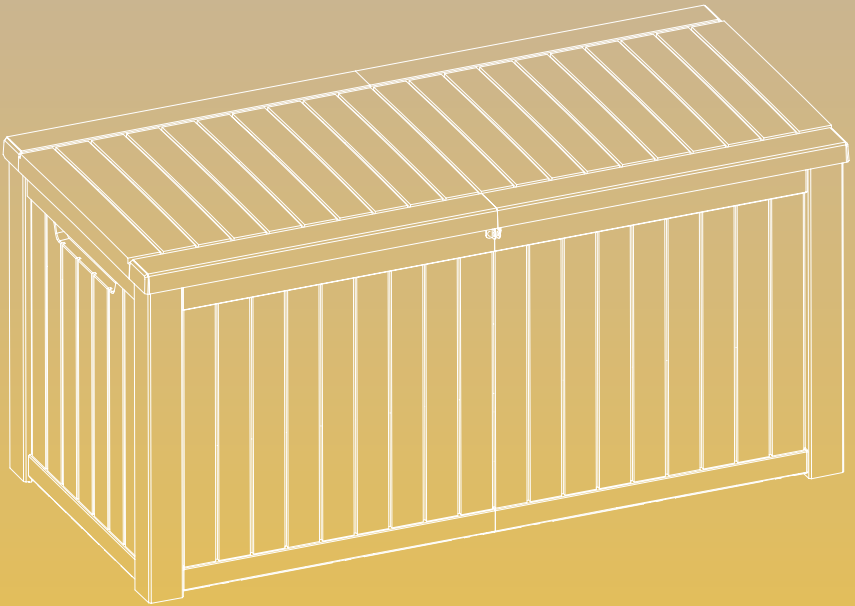
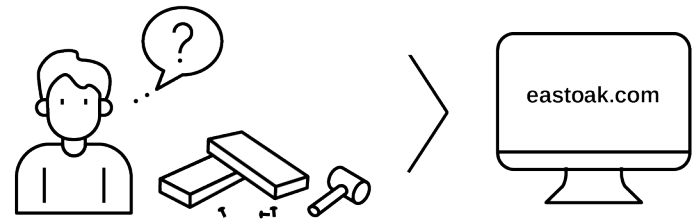


180 Gallon Deck Box Owner's Manual

MODEL:
DB23004



EAST OAK



**Questions? Comments?
Reach out to us for expert support!**

✉ support@eastoak.com

🌐 eastoak.com

☎ 1-833-EAST-OAK (USA)

(1-833-327-8625) Mon-Fri 8am-8pm EST

Follow [eastoakliving](#) on



Claim your 3-year warranty

at eastoak.com/warranty



**Please scan the QR code
to view the installation video**



IMPORTANT CAUTION

Once installed, the product cannot be detached. Please strictly follow each step in the installation manual.

- Please check all parts and components to ensure that there are no damages or missing items before starting the construction of the product. If you have any problems or discover any missing parts, please contact customer service at support@eastoak.com
- Some parts may contain sharp edges. Wear protective gloves if necessary during assembly.
- When using power tools, please adjust the gear to the minimum, otherwise it will cause damage to the parts.

ASSEMBLY INSTRUCTIONS

- DO NOT assemble this item alone for your safety. Two people are necessary for smooth and safe installation.
- We recommend using a rubber hammer and an electric screwdriver for better installation.
- Item identification: For ease of identification, all parts are labeled to correspond to the step number in which the part is used.
- **Tips: When installing the screws, fix them first, and then tighten the screws after they are all positioned.**
- **The letter marks on the A/B/C/J/F/A1 panels should face inward when installing.**

CARE & SAFETY

- **Avoid placing products in areas with standing water, such as potholes on lawns.**
- Check all panels for tightness before usage.
- It is of utmost importance to assemble all parts according to the directions. Do not skip any step.
- In case of fire, do not attempt to extinguish any burning polypropylene with water.
- Wear safety goggles and always follow the manufacturer's instructions when using power tools.
- Using a stiff brush or abrasive cleaner could damage the box.
- Hot items such as recently used grills, blowtorches, etc., must not be stored in the box.
- After rain, wipe the box with a cloth before opening it.
- Unsuitable for the storage of flammable or corrosive substances.
- Do not stand on the lid.
- To prevent the risk of suffocation, do not allow children to play inside the box.

PARTS LIST



Front&Back Panel

A (X3)



Front Panel

A +logo(X1)



Side Panel

B (X2)



Bottom Board

C (X2)



Lid Panel

J (X1)



Lid Panel

F (X1)



Partition Panel

A1 (X1)



Lid Panel Reinforced Bridge

P (X1)



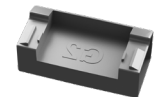
Reinforced Metal Rod

D (X4)



Lid Connector-1

G1 (X1)



Lid Connector-2

G2 (X1)



Rubber Plug
R (X2)



Hydraulic Rod
H1 (X2)



Plastic Hinge
E (X2)



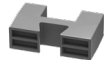
Lock Bracket-1
G (X1)



Lock Bracket-2
I (X1)



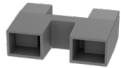
Plastic Strip
T (X2)



Partition Panel Buckle
Y (X6)



M4*16 Screw
M (X28+Spare Part2)



Partition Panel Buckle
Y1 (X2)

1 ASSEMBLY INSTRUCTIONS

Align 2 Rubber Plugs R with the hole and install it on Bottom Panel C.

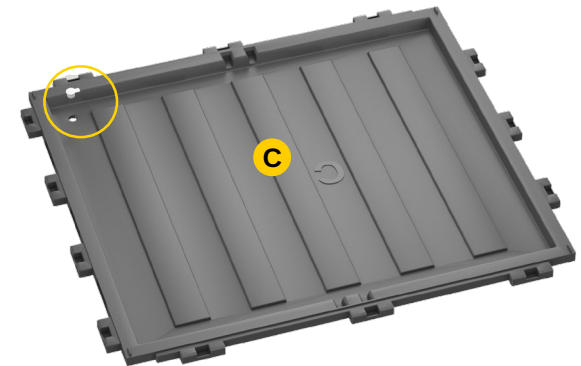
The letter marks on the A/A+Logo /B/C/J/F panels should face inward when installing.



C (X2)



R (X2)

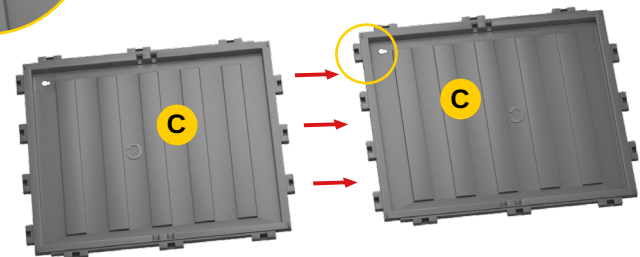
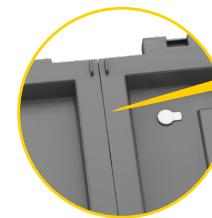


2

Put 2 Panels C on a flat ground so that snap tabs can be aligned easily.



C (X2)



ground

3

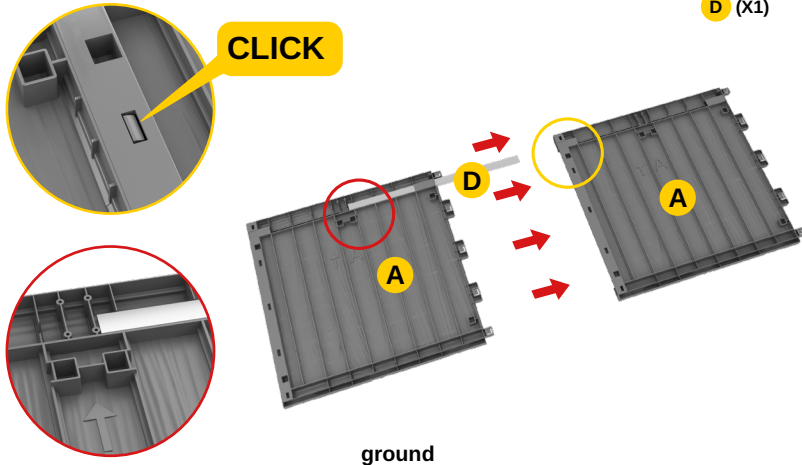
Install 2 Side Panels A (without logo): Insert 2 Reinforced Metal Rods D to the end and then buckle 2 panels together.

Please note that the directions of the arrows are consistent.



A (X2)

D (X1)



ground

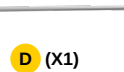
4

Repeat Step 3 to install the other 2 Side Panels A.

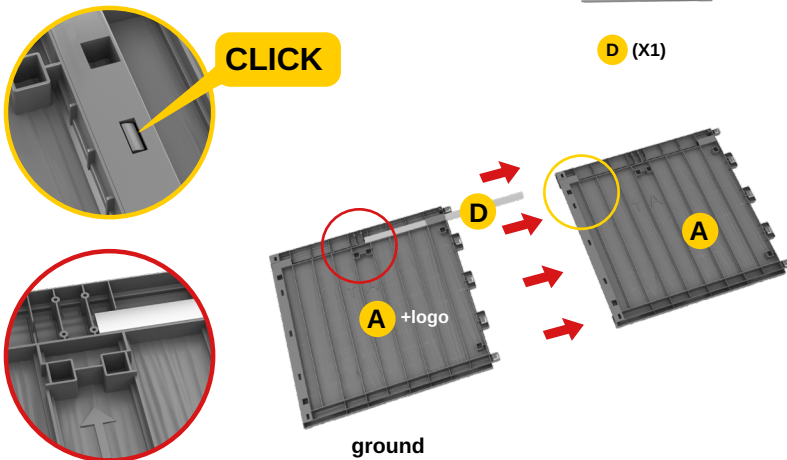


A +logo(X1)

A (X1)



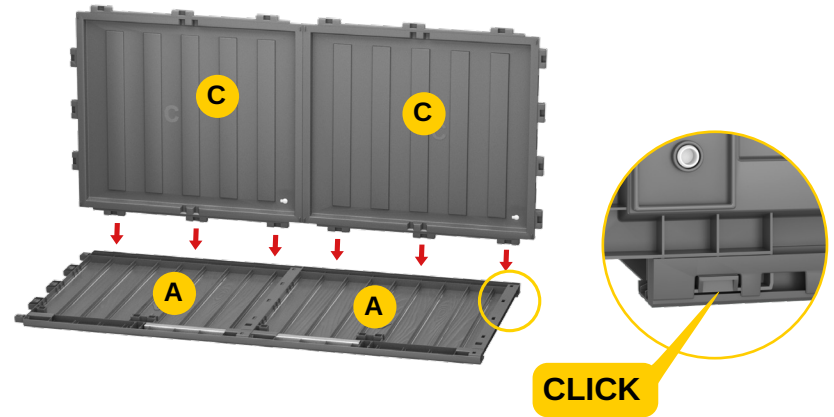
D (X1)



ground

5

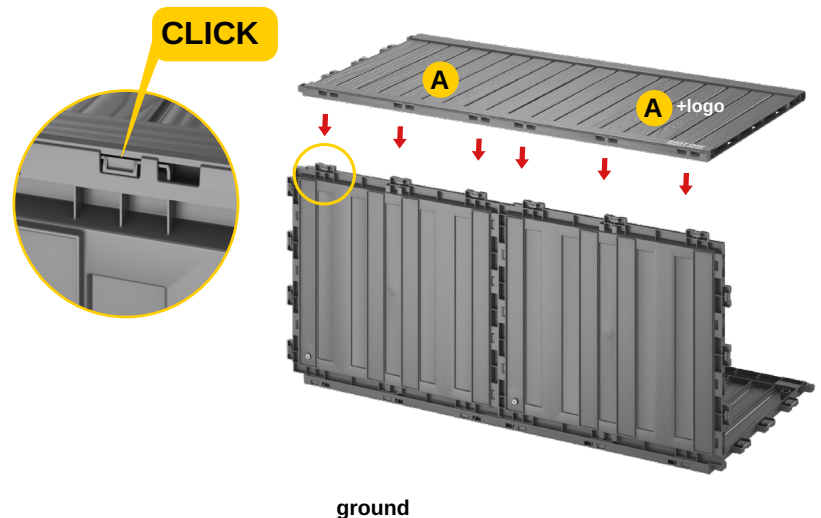
Put the assembled Side Panel A on the flat ground, and then buckle the Bottom Panel C in.



ground

6

Repeat Step 5 to install the other side.



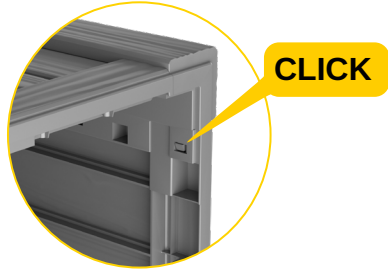
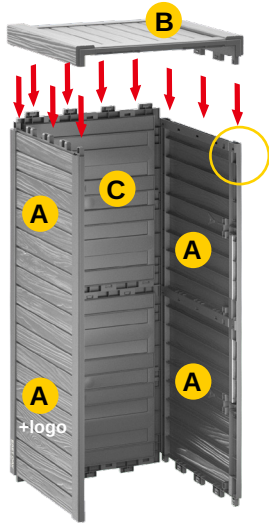
ground

7

Please note that the directions of the arrows on Panel A and B are consistent.



B (X1)



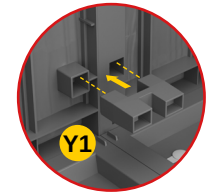
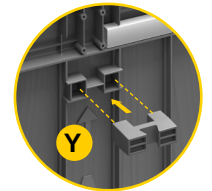
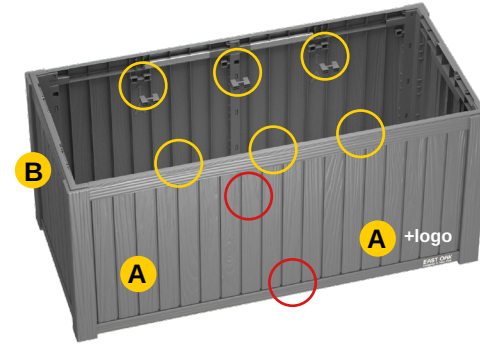
9

Attach 6 Partition Panel Buckles Y to 2 Side Panels A.



Y (X6)

Y1 (X2)

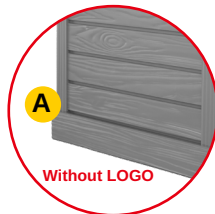
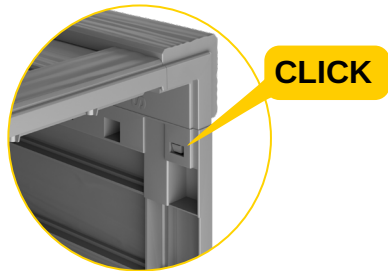
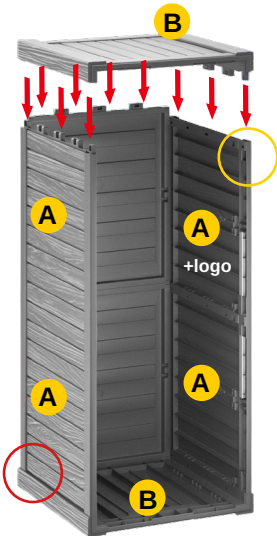


8

Please note that the directions of the arrows on Panel A and B are consistent.



B (X1)



10

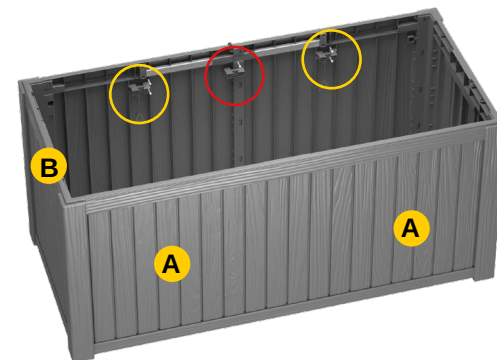
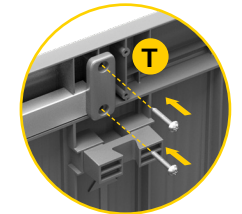
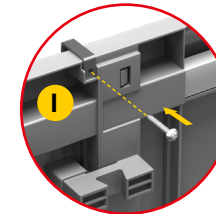
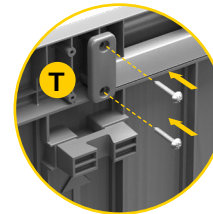
Install 2 Plastic Strips T and Lock Bracket-2 I to Panel A (with logo) with 5 Screws.



T (X2)

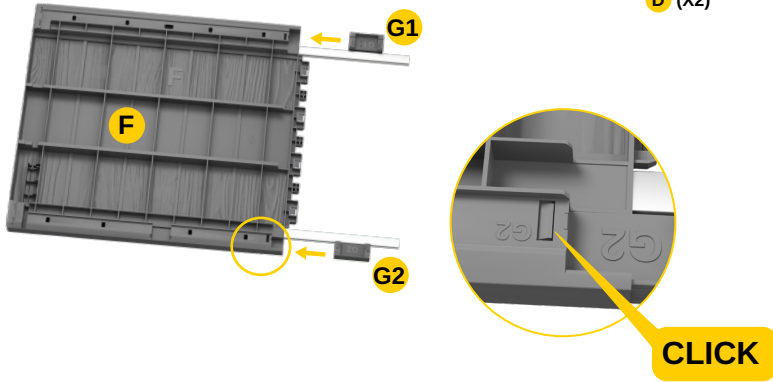
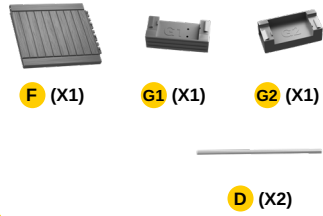
M4*16
M (X5)

I (X1)



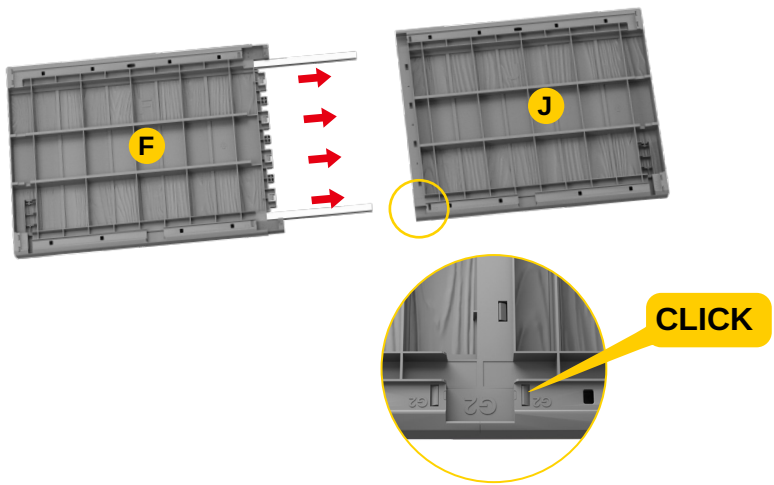
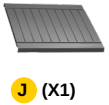
11

Please install the Lid Connecters G1,G2 and 2 Reinforced Metal Rods D to Lid Panel F.



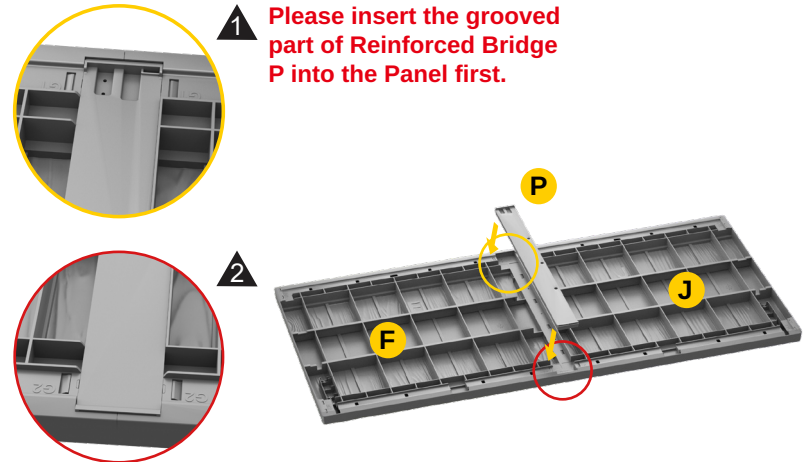
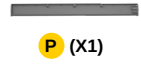
12

Connect Lid Panel F to Lid Panel J.



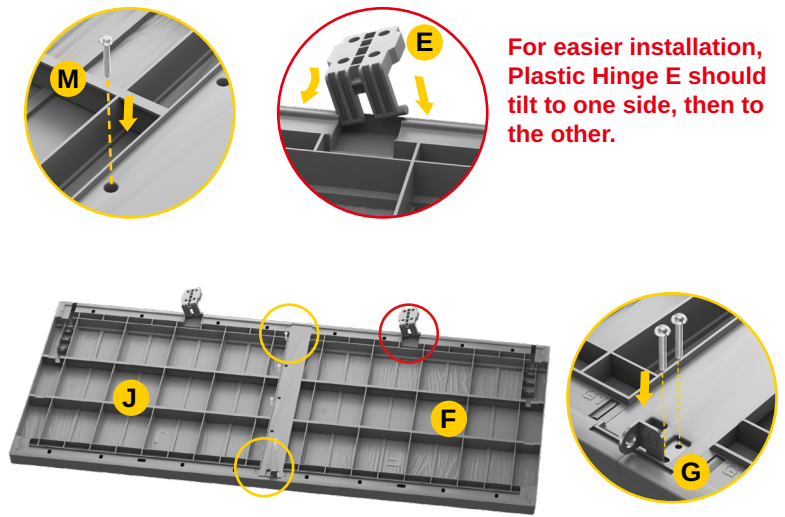
13

Assemble Reinforced Bridge P to Lid Panel.



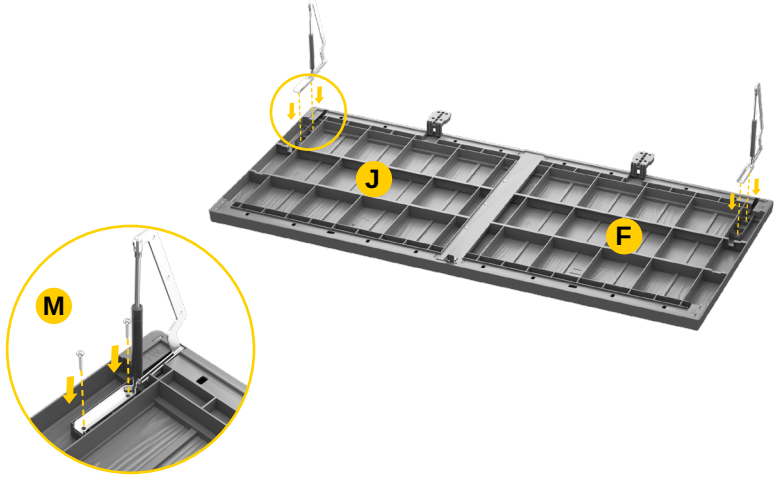
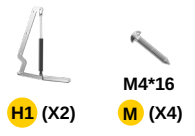
14

Please install Lock Bracket-1 G to Lid Panel.



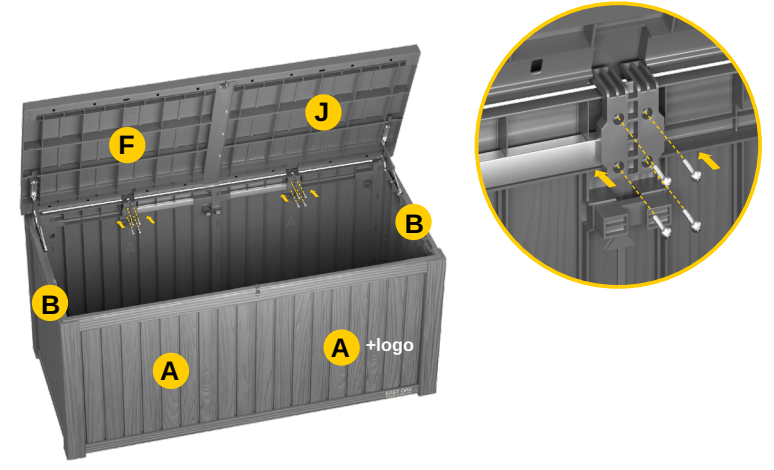
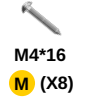
15

Assemble 2 Hydraulic Rods H1 to Lid Panel with 4 Screws.



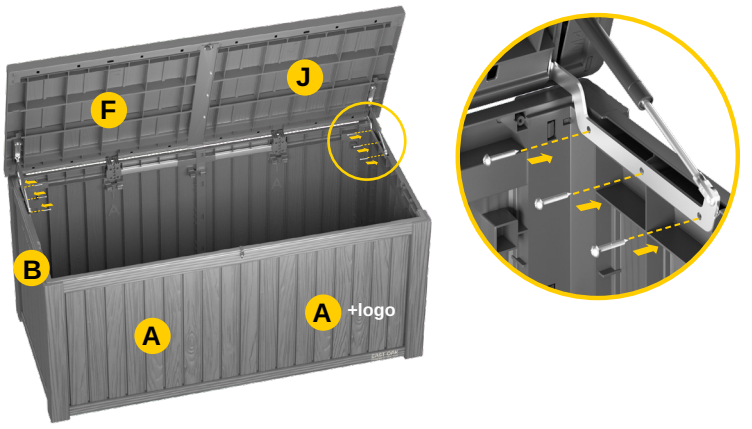
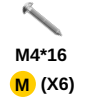
17

Tighten 2 Plastic Hinges E with 8 Screws.



16

Assemble 2 Hydraulic Rods H1 to Side Panel B with 6 Screws.

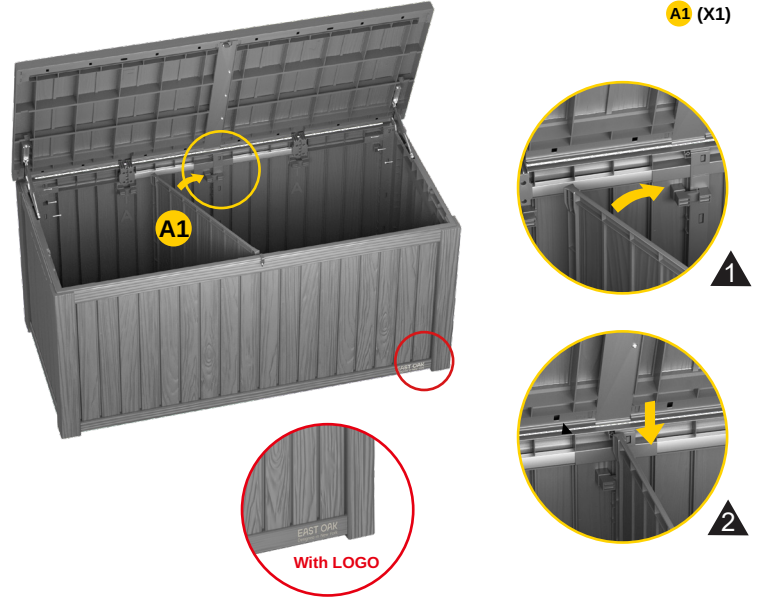


18

Gently pull the side panel and align Partition Panel A1 with the card slot.



A1 (X1)



19

Installation completed.



FEATURES

- Weatherproof and waterproof outdoor furniture
- UV and fade resistance
- Durable and long-lasting use
- Easy to assemble
- Marine-grade quality hardware
- Comfortable side handles
- Upgraded pp material to prevent bending and fading
- Use for indoors and outdoors, pillows, pool toys, garden tools, furniture and sports equipment
- Great option for home storage and organization

WHAT'S IN THE BOX

- 11 Deck Box Assemblies
- 1 Lid Panel Reinforced Bridge
- 4 Reinforced Metal Rods
- 2 Hydraulic Rods
- Screw Package
- User Manual

WARRANTY POLICY

GUARANTEED 3-YEAR WARRANTY

Thank you for choosing East Oak. This product is covered by our company warranty for up to 3 years from its original purchase date.

CLAIM WARRANTY

If you'd like to claim your product's warranty, register your new product on our website at www.eastoak.com/warranty.

WARNING

Cancer and Reproductive Harm
www.P65Warnings.ca.gov.

EAST OAK

✉ support@eastoak.com

🌐 eastoak.com

☎ 1-833-EAST-OAK (USA)